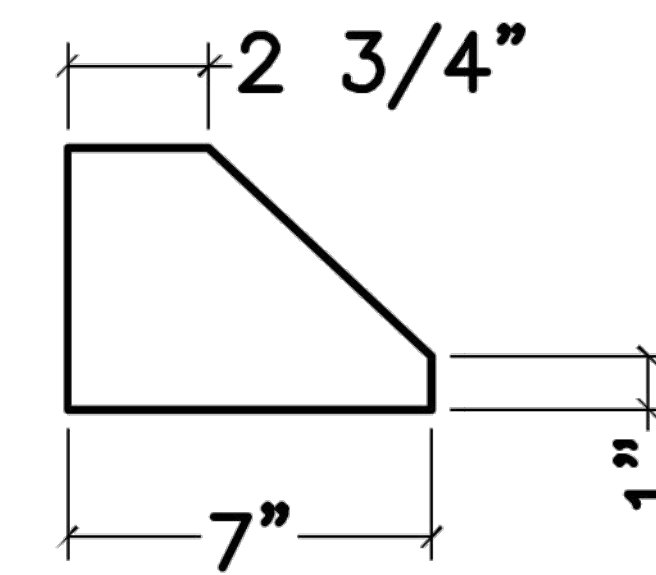
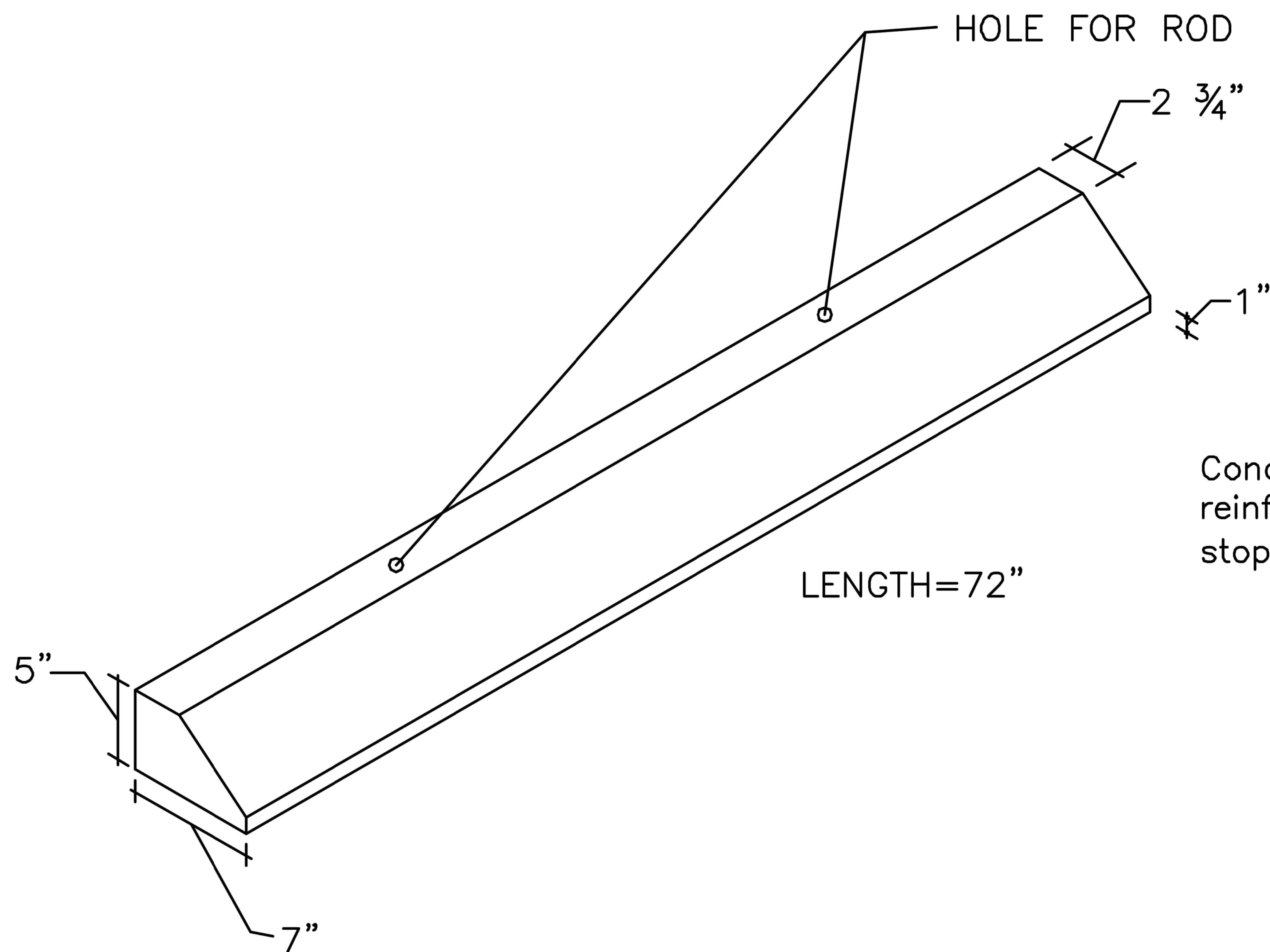


**PLAN**



**SIDE ELEV.**



Concrete Parkings stops are produced with 3500 psi concrete and reinforced with 2#4 bars. 2-3/4" holes 12" from each end allow stops to be achored to pavement using 1/2" or 5/8" rebar.

	Regular Parking Block
PRICE	\$ 27.00 (delivery not included)



Regular Parking Block

DRAWN BY: FSS

CHECKED BY: MJ/JP

SCALE: NTS

Phone: 945-8495  
 Fax: 945-4808  
 Email: info@ciprecast.com.ky